

Hydraulic torque wrench type CX, 5000 Nm

2-hose system, asymmetrical support can be mounted on both sides, 360° rotatable, 1 inch output

Item number:	ITH-CX5
Product weight (kg):	5.8 kg
Packing unit:	1



The **hydraulic torque wrench type CX** is used in radially confined spaces and very different support conditions (e.g. cast housing). It is also suitable for both service and series applications. The **hydraulic wrench** ,s two-hose system guarantees fast work cycles - especially in conjunction with the ITH hydraulic power pack type DAX. **The asymmetrical support can be mounted on both sides** and can be rotated in a 360° radius. This ensures the largest possible support radius.

Equipment and design

The flexible and quickly lockable support of the hydraulic torque wrench means that the same support conditions are always available for different applications. The finely toothed mounting with the patented ratchet system ensures even torque transmission. The dual swivel connection and the two-hose system ensure a high degree of flexibility when working in confined spaces. The dual swivel connection allows the hydraulic hose to be rotated in two directions. The assembly design (hydraulic cylinder, ratchet system and housing) ensures that worn components can be replaced quickly.

Universal use: Use of existing power sockets (sockets)

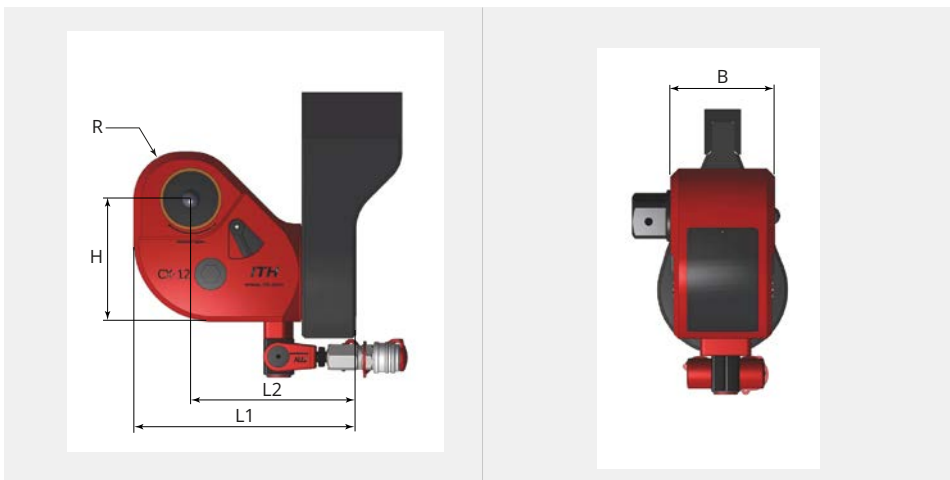
Direct-toothed power sockets (CX-KSE) for **hexagon bolts**, hexagon socket inserts (CX-SE) for **hexagon socket bolts** or square sockets (CX-VE) for adapting existing standard power sockets can be used in the fine-toothed receptacle. Existing power sockets can therefore be easily adapted with the CX-VE.



TECHNICAL CHARACTERISTICS

Max. Torque (Nm):	5000
Output drive („):	1
Weight (kg):	4
Manufacturer:	ITH GmbH & Co.KG

DIMENSIONS



DIMENSIONS

L1 (mm):	175
----------	-----