

Digital torque wrench CEM850N3X32D-G-BT

Type CEM3-G-BT, LCD display, direct reading, 170-850Nm

Item number: CEM850N3X32D-G-BT

Packing unit: 1



Digital torque wrench with integrated Bluetooth® data transmission for precise screwdriving and inspection applications.

- Measurement of torque and angle (can be activated separately)
- Wireless data transmission via Bluetooth®
- Two operating modes: simplex and duplex
- Simple operation via maintenance keypad
- Compatible with interchangeable heads from Tohnichi
- Free TDMS app (iOS & Android) for data acquisition and management

Simplex mode:

Transmits measurement data directly to the PC or stores it for later transmission.

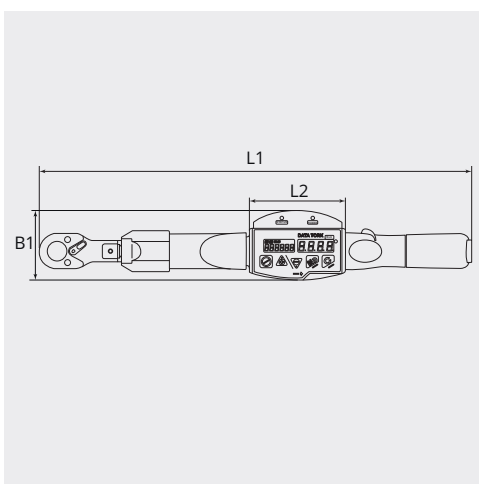
Duplex mode:

Receives specifications (e.g. torque, number of pieces) from the PC and sends back results after each tightening.

TECHNICAL CHARACTERISTICS

Drive (,,):	1
Version:	Ratchet head
Torque (Nm):	170 - 850
Direction:	Right / Left
Accuracy (%):	+/-1
Type of head:	32D
Length (mm):	1387
Graduation (Nm):	1
Manufacturer:	Tohnichi Manufacturing Co., Ltd.

DIMENSIONS



DIMENSIONS

L1 (mm):	1387
L2 (mm):	100
B1 (mm):	72
Length (mm):	1387