

BL-VA KDS-SR 10/24

Sheet metal punch for rectangular cutouts, Cutout dimensions: 113.5 x 46 mm, Maximum wall thickness: 2.0 mm for stainless steel sheet

Item number: 28686.0

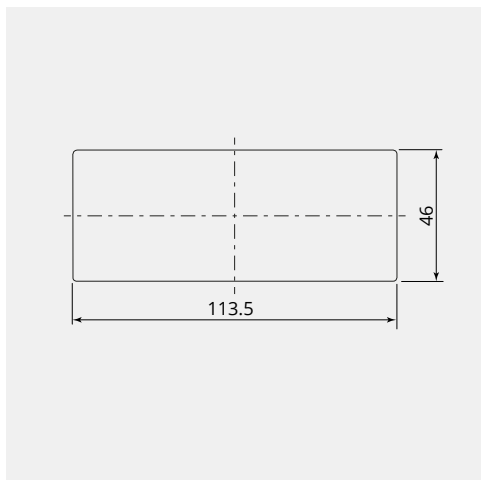
Packing unit: 1



TECHNICAL CHARACTERISTICS

Material:	Steel
REACH compliant:	Yes
ROHS compliant:	Yes
Manufacturer:	CONTA-CLIP Verbindungstechnik GmbH

DIMENSIONS



DIMENSIONS

Length (mm):	113.5
Width (mm):	46